

# INVERTER

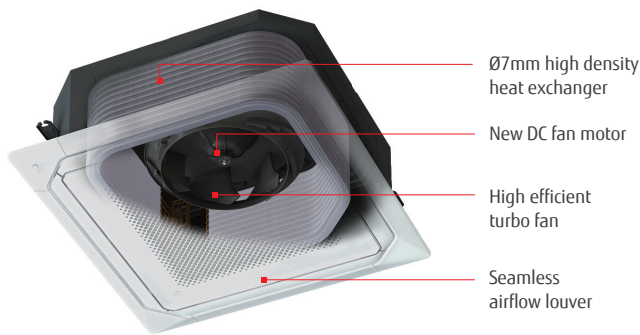
# CIRCULAR FLOW CASSETTE

**Model :** AUXG18LRLB / AUXG24LRLB  
 AUXG30LRLB / AUXG36LRLB / AUXG45LRLB / AUXG54LRLB



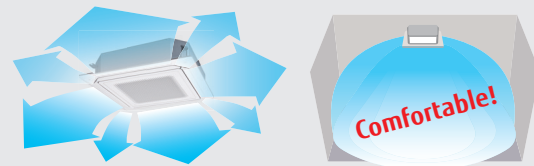
## Uniform air distribution by the seamless air opening

In new model, the gaps between each airflow openings are removed, which enables to distribute wider and uniform airflow to room.



## Uniform temperature air conditioning

Achieve a comfortable air conditioning spread to every corner of the room by circular flow & wide vertical airflow.



## Specifications

Model No.	Indoor unit		AUXG18LRLB	AUXG24LRLB	AUXG30LRLB	AUXG36LRLB	AUXG45LRLB	AUXG54LRLB
	Outdoor unit		AOYG18LBCA	AOYG24LBCA	AOYG30LBTA	AOYG36LBTA	AOYG45LBTA	AOYG54LBTA
Power Source	V/Ø/Hz		230/1/50	230/1/50	230/1/50	230/1/50	230/1/50	230/1/50
Capacity	Cooling (Min-Max)	kW	5.2(0.9-6.5)	6.8(0.9-8.0)	8.5(2.8-10.0)	9.5(2.8-11.2)	12.5(4.0-14.0)	13.3(4.5-14.5)
		Btu/h	17,700(3,100-22,200)	23,200(3,100-27,300)	29,000(9,500-34,100)	32,400(9,500-38,200)	42,700(13,700-47,800)	45,400(21,200-49,500)
	Heating (Min-Max)	kW	6.0(0.9-8.0)	7.8(0.9-9.1)	10.0(2.7-11.2)	10.8(2.7-12.7)	14.0(4.2-16.2)	15.8(4.7-16.5)
		Btu/h	20,500(3,100-27,300)	26,600(3,100-31,000)	34,100(9,200-38,200)	36,900(9,200-43,300)	47,800(14,300-55,300)	53,900(16,000-56,300)
Input Power	Cooling/Heating	kW	1.42 / 1.50	2.16 / 2.18	2.56 / 2.77	2.96 / 2.91	3.85 / 3.73	4.38 / 4.58
EER	Cooling	W/W	3.66	3.15	3.32	3.21	3.25	3.04
COP	Heating	W/W	4.00	3.58	3.61	3.71	3.75	3.45
Running Current	Cooling/Heating	A	6.2 / 6.6	9.5 / 9.6	11.2 / 12.2	13.0 / 12.7	16.8 / 16.3	19.1 / 20.0
Moisture Removal			l/h	2.2	2.7	2.5	3.3	4.5
Sound Pressure Level (Cooling/Heating)	Indoor (High)	dB(A)	33/33	35/35	40/40	44/44	46/46	47/47
	Outdoor	dB(A)	51/50	55/56	53/55	54/55	55/55	55/57
Airflow Rate (Cooling/Heating)	Indoor (High)	m³/h	1,050/1,050	1,150/1,150	1,600/1,600	1,900/1,900	2,000/2,000	2,100/2,100
	Outdoor	m³/h	1,900/1,700	2,460/2,340	3,600/3,600	3,800/3,800	6,750/6,200	6,750/6,850
Net Dimension HxWxD	Indoor / grille	mm	246x840x840/53x950x950			288x840x840/53x950x950		
	kg(lbs)		24 (53) / 6.0 (13)	24 (53) / 6.0 (13)	26 (57) / 6.0 (13)	26 (57) / 6.0 (13)	29 (64) / 6.0 (13)	29 (64) / 6.0 (13)
Net Weight	Indoor unit	mm	620x790x290			830x900x330		
	kg(lbs)		620x790x290	620x790x290	830x900x330	830x900x330	1,290x900x330	1,290x900x330
Piping Connections (Small / Large)			mm	41 (90)	41 (90)	61 (134)	61 (134)	86 (190)
Drain Pipe Diameter (I.D./O.D.)			mm	6.35/12.7	6.35/15.88	9.52/15.88	9.52/15.88	9.52/15.88
Max Pipe Length (Pre-Charge)			m	25/32	25/32	25/32	25/32	25/32
Max Height Difference			m	30 (15)	30 (15)	50 (20)	50(20)	50(20)
Operation Range	Cooling	°CDB	20	20	30	30	30	30
	Heating	°CDB	-15 to 46	-15 to 46	-15 to 46	-15 to 46	-15 to 46	-15 to 46
Refrigerant			R410A	R410A	R410A	R410A	R410A	R410A
Cassette Grille			UTG-UKYA-W: White Color with touch panel wired remote controller UTG-UKYC-W: White Color / UTG-UKYA-B*1: Black Color					

\*1: IR Receiver kit and human sensor kit cannot be connected

## Individual louver control

Each louver can be set individually by Touch Panel Wired Remote Controller to enjoy the comfort of different directional airflows according to various room layouts.

\*Touch Panel Wired RC (UTY-RNRYZ3) only



Comfortable air conditioning by preventing direct blowing of cold air and by providing swinging air flow simultaneously.

Efficient air conditioning based on the room layout

## Various Cassette Grille

Both black and white color grilles are available. There are three types, white color grille with Remote Controller, only white color grille and only black color grille. Possible to choose according to the atmosphere and the use of the room.



**UTG-UKYA-W**  
White Color Grille  
With touch panel wired remote controller

## Human Sensor for Energy Saving (Option)

• Human sensor 2 modes can be selected.



- Auto saving** Power is saved while no one is around
- Auto OFF** Operation is stopped while no one is around

\*Touch Panel Wired RC (UTY-RNRYZ3) only

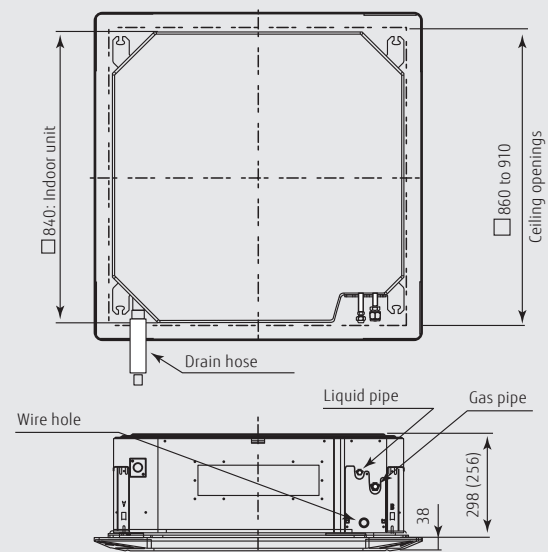
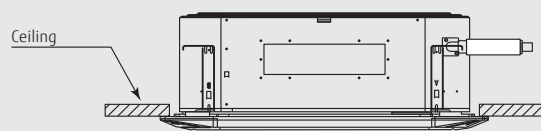
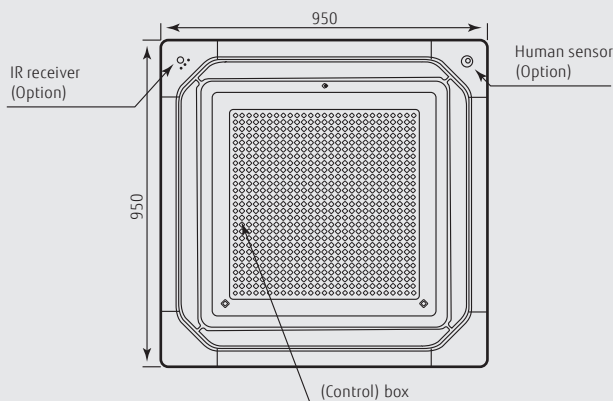
## Optional parts

Compact Wired Remote Controller:	UTY-RCRYZ1
Wired Remote Controller:	UTY-RLRY, UTY-RVNYM UTY-RNNYM
Wired Remote Controller (Touch Panel):	UTY-RNRYZ3
Simple Remote Controller (3-wire type):	UTY-RSNYM
Simple Remote Controller (2-wire type):	UTY-RSRY
Simple Remote Controller (2-wire type):	UTY-RHRY (Without operation mode):
Human Sensor Kit:	UTY-SHZXC
External Switch Controller:	UTY-TERX
Wireless LAN Adaptor:	UTY-TFNXZ3
KNX® Converter:	UTY-VKXS
MODBUS® Converter:	UTY-VMSX
Network Converter for single split: (DC power supply type)	UTY-VTGX
Network Converter for single split: (AC power supply type)	UTY-VTGXV
External input and output PCB:	UTY-XCSX
External Connect Kit:	UTY-XWZXZG
Insulation Kit For High Humidity:	UTZ-KXRA
Fresh Air Intake Kit:	UTZ-VXRA
External input and output PCB Box:	UTZ-GXRA
Wide Panel:	UTG-AKXA-W
Panel Spacer:	UTG-BKXA-W
Cassette Grille:	UTG-UKYA-B, UTY-UKYA-W UTG-UKYC-W
Air Outlet Shutter Plate:	UTR-YDZK
IR Receiver Unit:	UTY-LBTYC
<b>(Outdoor unit)</b>	
External Connect Kit:	UTY-XWZXZ3 (45/54)

## Dimensions

Models: AUXG18LRLB / AUXG24LRLB  
AUXG30LRLB / AUXG36LRLB / AUXG45LRLB / AUXG54LRLB

(Unit: mm)



( ) : AUXG18/24LRLB