

# INVERTER

# 2&3-4 ROOMS MULTI

2 Rooms : AOAG14LAC2 / AOAG18LAC2

3 Rooms : AOAG20LBTA3 / AOAG24LAT3

4 Rooms : AOAG30LAT4



2 Rooms



3 Rooms



4 Rooms



## Comfortable space that matches your lifestyle

Comfortable space can be provided to match the layout and shape of the room by 1 outdoor unit.



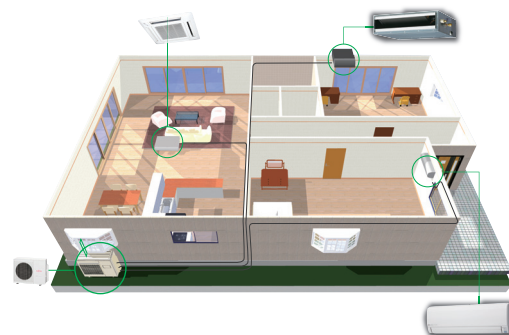
Powerful simultaneous air conditioning even when the rooms are different sizes.

Uneven temperature is not generated due to steady air conditioning even in L-shaped rooms.

## Wide range of indoor units with various models

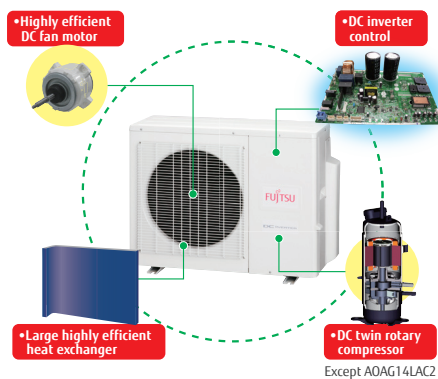
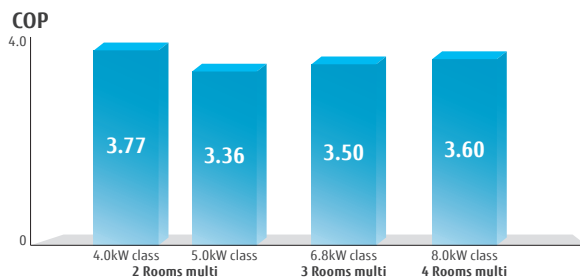
3 types 17 models are lined up in the capacity range from 2kW to 7kW class.

Wide capacity range meets the needs from the private room of home or hotel to the large stores.



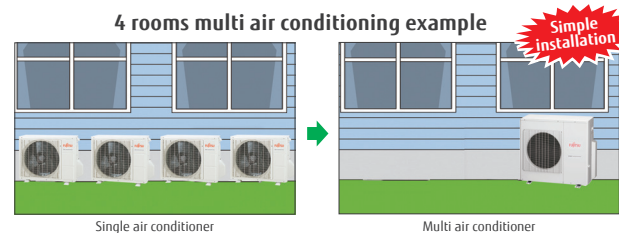
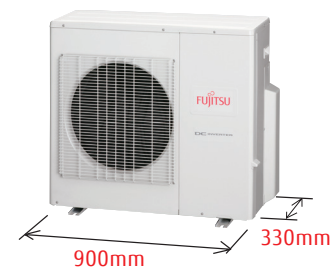
## Top class energy saving

Equipped with highly efficient rotary compressors (Except AOAG14LAC2) and a DC fan motor to improve efficiency. All models achieve the Ticks 4 energy saving level.



## Outdoor unit's space saving design makes for a better looking exterior

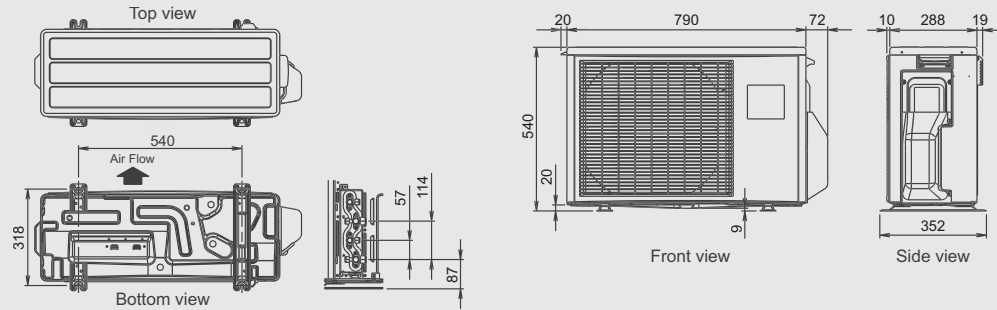
Cooling and heating of 2 to 4 rooms is possible by only 1 outdoor unit that is nearly the same size as a single model. Spacious veranda and yard make the exterior simple.



## Outdoor unit Dimensions

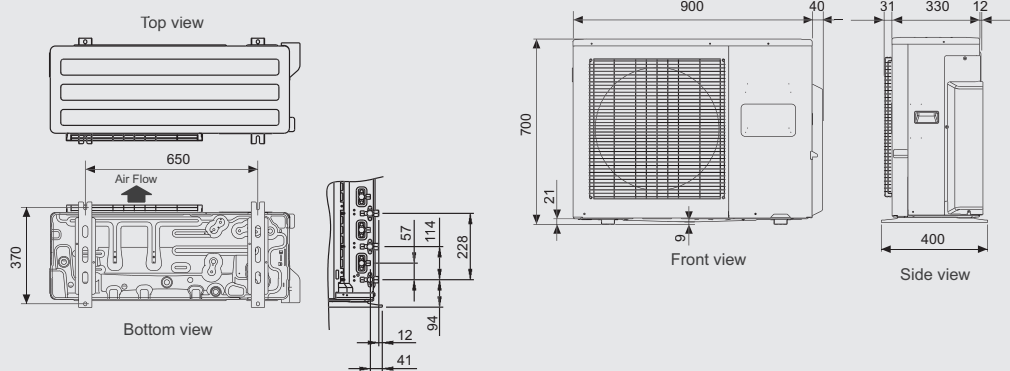
### 2 ROOMS

Model: AOAG14LAC2 / AOAG18LAC2



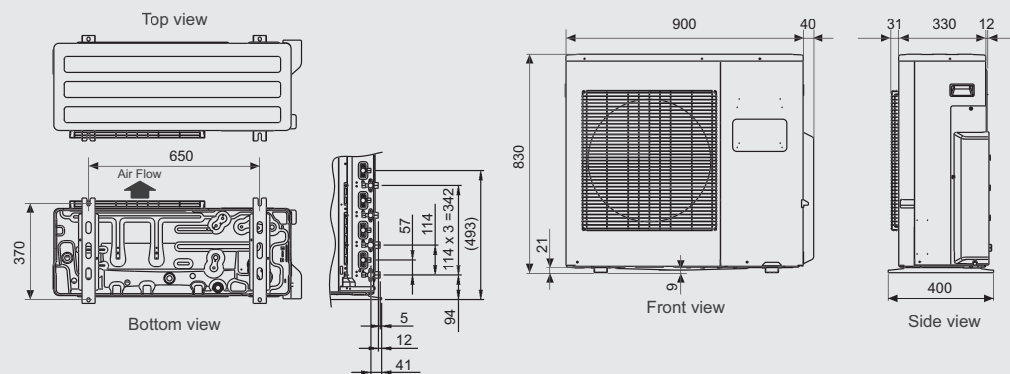
### 3 ROOMS

Model: AOAG20LBT3 / AOAG24LAT3



### 4 ROOMS

Model: AOAG30LAT4



## Outdoor unit Specifications

Model No.	Outdoor unit		AOAG14LAC2	AOAG18LAC2	AOAG20LBT3	AOAG24LAT3	AOAG30LAT4	
Power Source	V/Ø/Hz		230/1/50	230/1/50	230/1/50	230/1/50	230/1/50	
Rated Capacity (min-max)	Cooling	kW	4.0(1.4~4.4)	5.0(1.7~5.6)	5.7(1.8~8.5)	6.8(1.8~8.5)	8.0(3.5~10.1)	
	Heating		4.4(1.1~5.4)	5.6(1.8~6.1)	7.8(2.0~9.2)	8.0(2.0~9.2)	9.6(3.7~12.0)	
Sound pressure level	Cooling	dB(A)	47	51	49	50	50	
	Heating		49	51	51	51	51	
Net Dimension H x W x D	mm		540x790x290	540x790x290	700x900x330	700x900x330	830x900x330	
Weight	kg(lbs)		37(81.6)	38(83.8)	55(121.3)	55(121.3)	68(149.9)	
Connection pipe	Piping Connections	Small (Liquid)	mm		Ø6.35x2	Ø6.35x2	Ø6.35x3	Ø6.35x4 (*Ø6.35x3, Ø9.52)
		Large (Gas)	mm		Ø9.52x2	Ø9.52x2	Ø9.52x2, Ø12.70	Ø9.52x2, Ø12.70x2
Max. length	Total / Each		30 / 20	30 / 20	50 / 25	50 / 25	70 / 25	
Max. Height Difference	Between Outdoor Unit and Each Indoor Units.		m		15	15	15	15
	Between Indoor Units.		m		10	10	10	10
Operation Range	Cooling	°CDB	10~46	10~46	10~46	10~46	10~46	
	Heating		-10~24	-10~24	-10~24	-10~24	-10~24	
Refrigerant			R410A	R410A	R410A	R410A	R410A	

Note: Specifications are based on the following conditions.

- Cooling: Indoor temperature of 27°CDB/19°CWB. and outdoor temperature of 35°CDB/24°CWB.
- Heating: Indoor temperature of 20°CDB/15°CWB. and outdoor temperature of 7°CDB/6°CWB.
- Pipe length: 5m, Height difference: 0m. (Outdoor unit - indoor unit)

\*:Connect to connection valve by the adapter.

**INVERTER**

# 5-6 ROOMS MULTI

5 Rooms : AOYG36LBLA5

6 Rooms : AOYG45LBLA6



## Wide range of indoor units with various models

5 types 30 models are lined up in the capacity range from 2 kW to 7 kW class. Wide range of needs can be met from rooms of private homes to large shops and hotels.



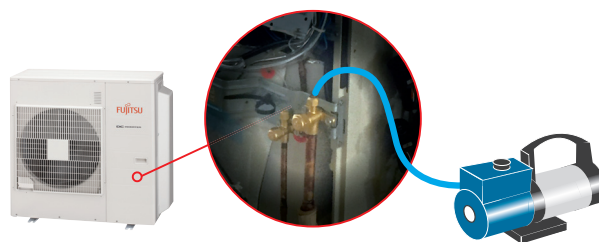
## Compact design

Multiple indoor units can be connected to 1 outdoor unit, and long piping connection is also possible. Compared with single type, the outdoor unit can be installed in various places to realize the space-saving installation.



## Easy installation

All connected pipes and indoor units can be evacuated quickly via our centralized valve method. Requires evacuation only once



## Central & Individual Control

- Batched control of up to 6 indoor units. The temperature, airflow volume, and remote control prohibition settings of all indoor units can be batched.
- Corresponds to 9 different languages (English, German, French, Spanish, Russian, Portuguese, Italian, Greek, and Turkish)
- Large backlight LED screen
- Large easy-to-see operation panel

Max. Controllable  
**1 multi system**

Max. Controllable  
**6 indoor units**

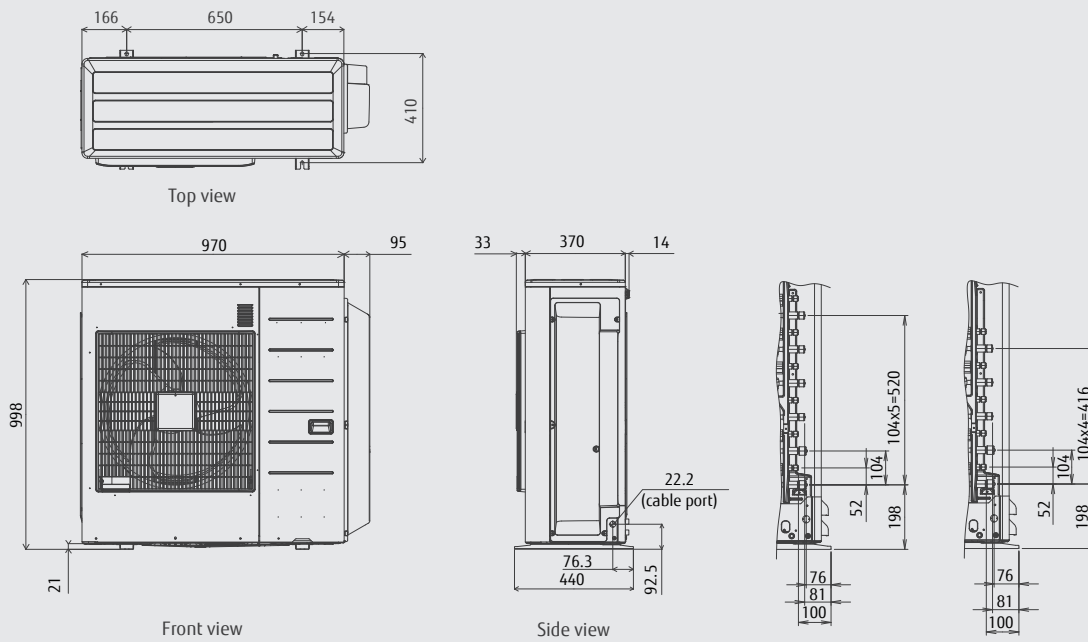


## Outdoor unit Dimensions

### 5-6 ROOMS

5 Rooms: AOYG36LBLA5

6 Rooms: AOYG45LBLA6



## Outdoor unit Specifications

Model No.		Outdoor unit		AOYG36LBLA5	AOYG45LBLA6
Power Source		V/Ø/Hz		230/1/50	230/1/50
Rated Capacity (min-max)	Cooling	kW		10.0 (3.5-12.5)	12.5 (3.5-14.0)
	Heating			12.0 (3.5-14.0)	13.5 (3.5-16.0)
Sound pressure level	Cooling	dB(A)		53	53
	Heating			55	55
Net Dimension H x W x D		mm		998×970×370	998×970×370
Weight		kg (lbs)		94 (207)	94 (207)
Connection pipe	Piping Connections	Small (Liquid)	mm	Ø6.35x5	Ø6.35x6
		Large (Gas)		Ø9.52x3, Ø12.70x2	Ø9.52x4, Ø12.70x2
Max. length		Total / Each		80 / 25	80 / 25
Max. Height Difference	Between Outdoor Unit and Each Indoor Units.		m	15	15
	Between Indoor Units.			10	10
Operation Range	Cooling	°CDB		-10 to 46	-10 to 46
	Heating			-15-24	-15-24
Refrigerant				R410A	R410A